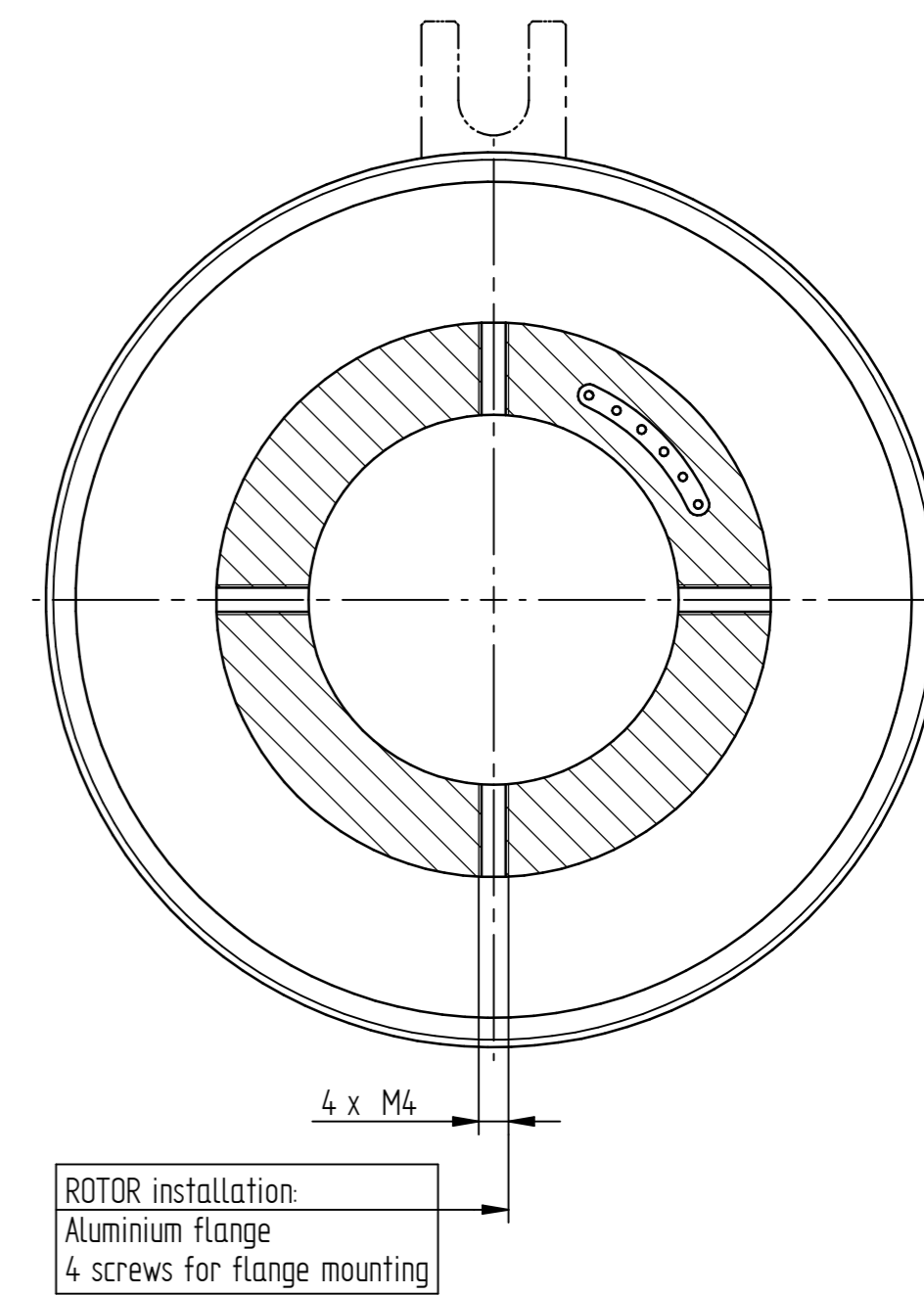
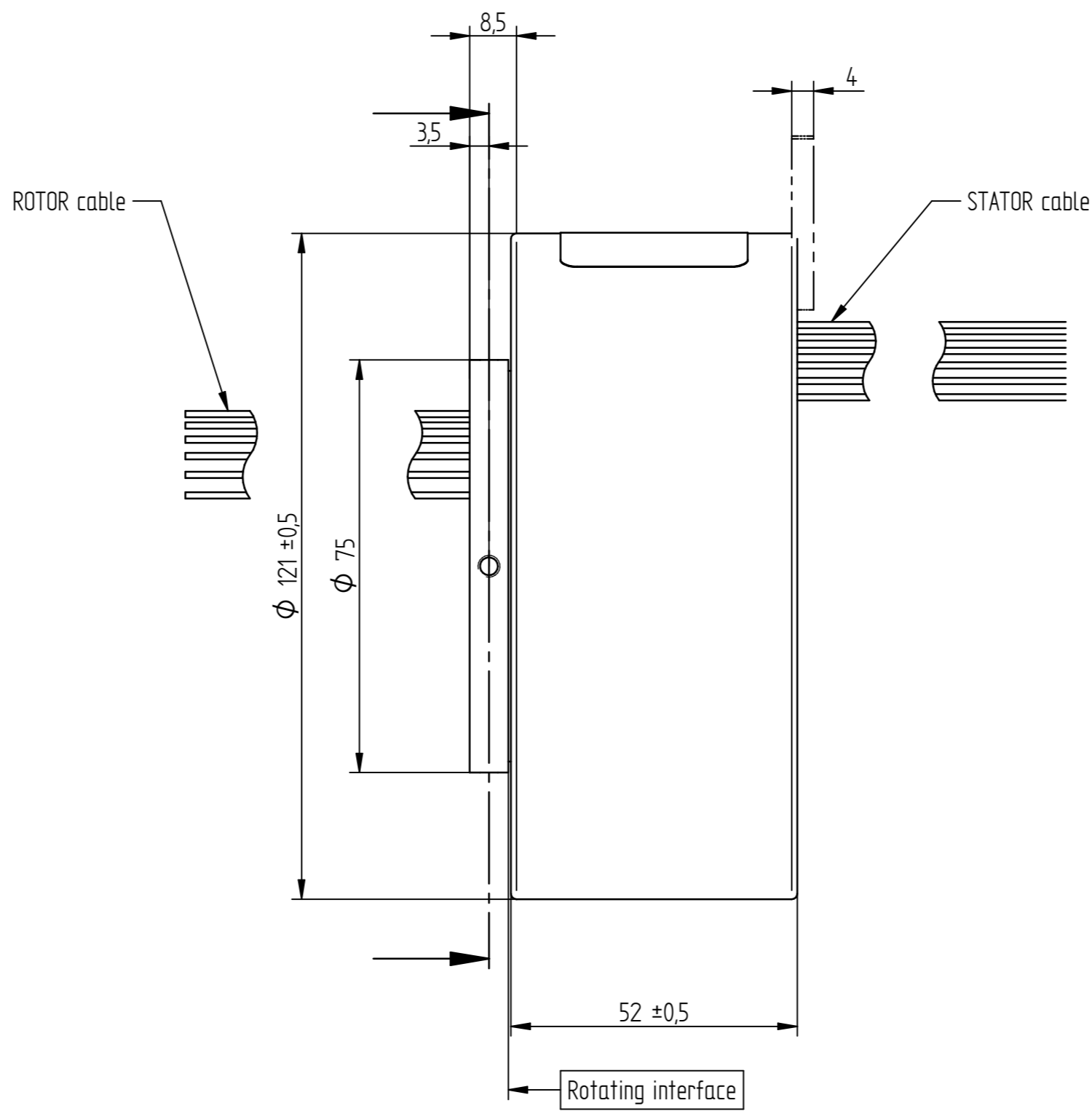


STATOR installation:
Anti-rotation tab to be mounted optionally, see manual
Anti-rotation tab is enclosed in the packaging



ROTOR installation:
Aluminium flange
4 screws for flange mounting

Wiring diagram see sheet 2

Die Montageanleitung 7BC000000 wird elektronisch bereitgestellt.
The assembly instruction 7BC000000 is provided in electronic format.

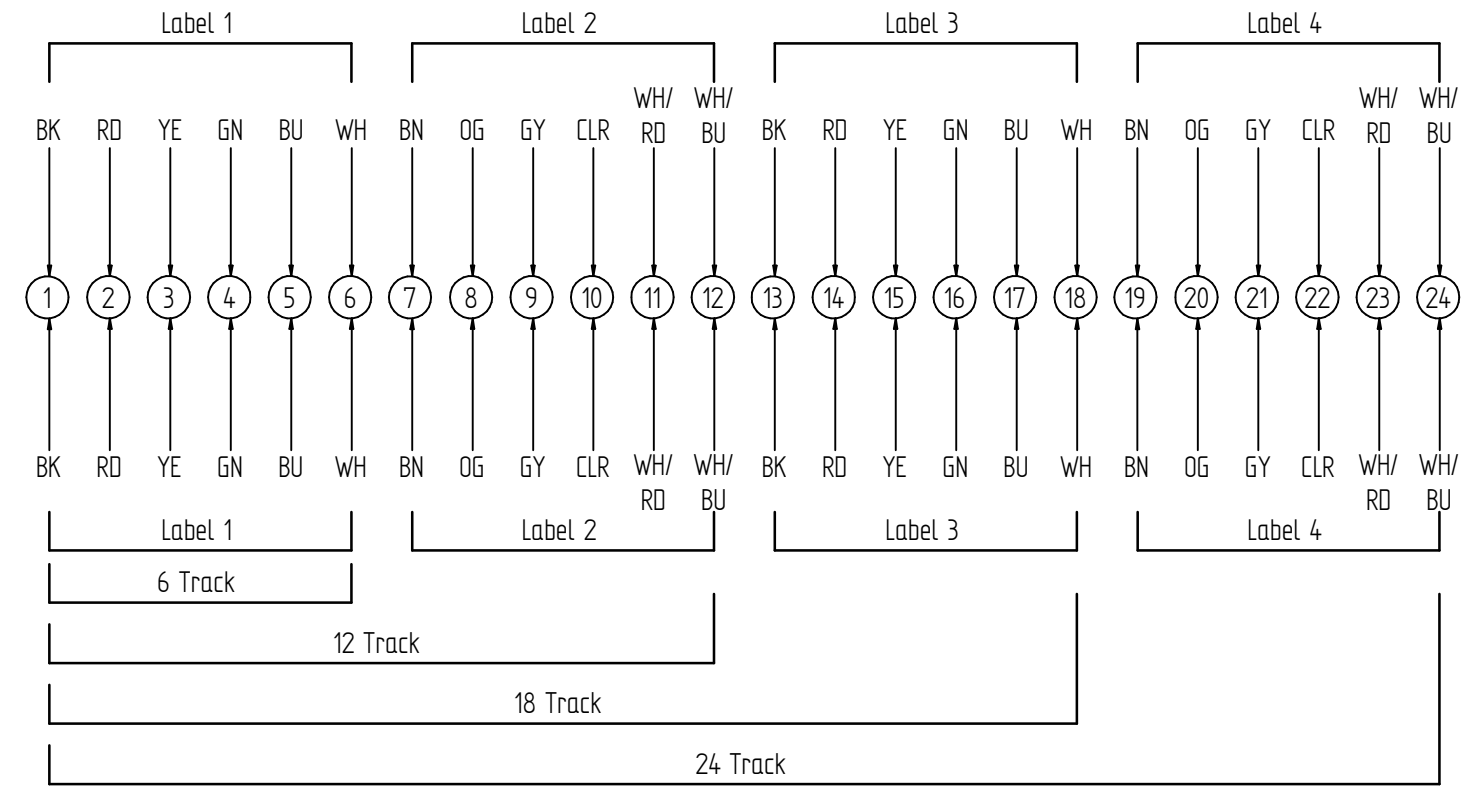
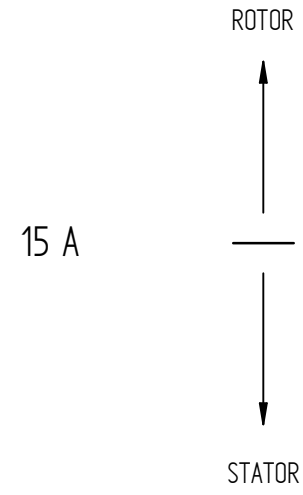
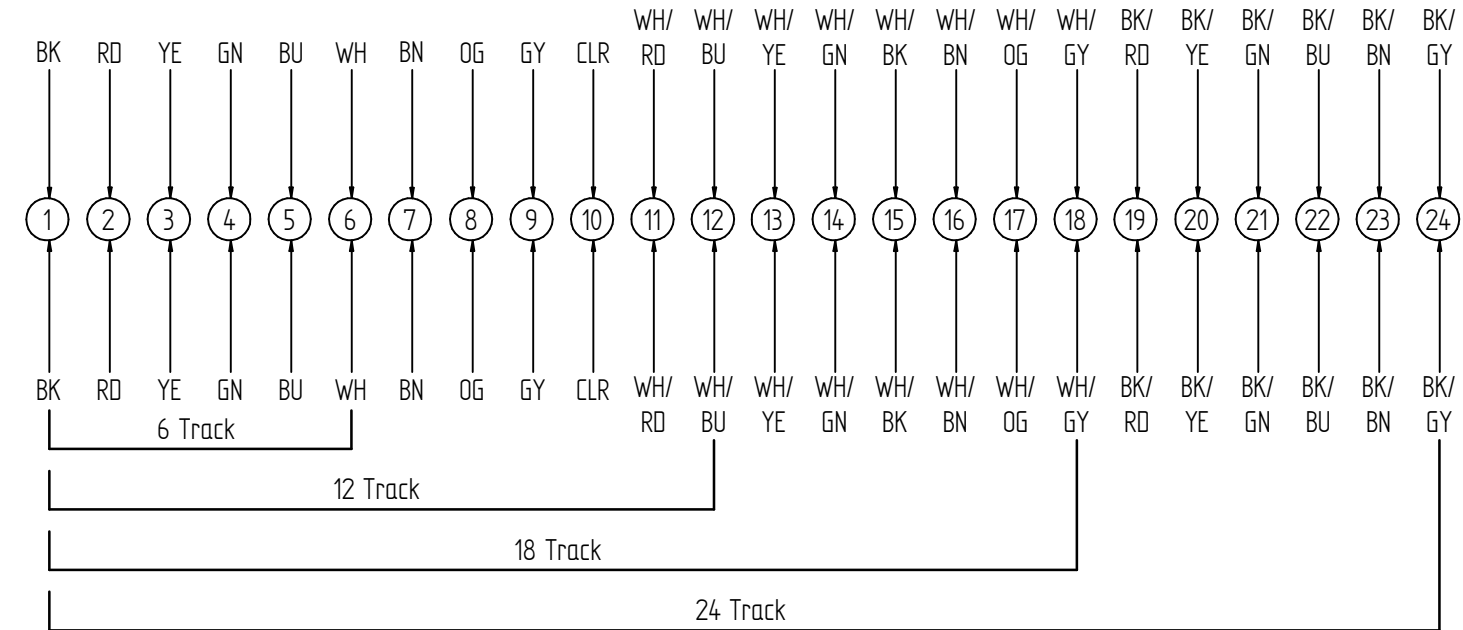
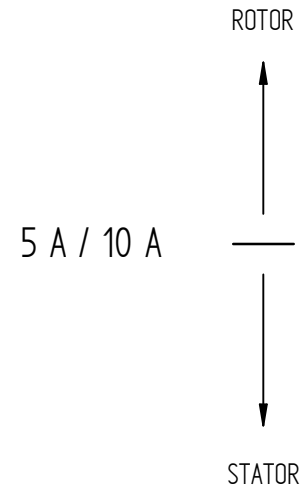
ELECTRONIC & ELECTRIC		MECHANICAL	
Rating Voltage	250 V AC / DC	Working Speed	300 rpm max.
		Inner Diameter	$\phi 50,0$
		Contact Material	Precious Metals
Current	5 A / Signal	Lead Wire Length	STATOR: 250 mm ROTOR: 250 mm
Track	6	/	/
Insulation Resistance	500 M Ω @ 500 V DC	/	/
ENVIRONMENT		REMARKS	
Working Temperature	-20 °C to +60 °C	Application	see Manual
Working Humidity	$\leq 60\%$ RH	Other	/
Protection Class	IP50	Note:	/

10	1	70C000021	Maverick Schleifring 6-Weg 5A		
Pos.	Anz.	Mat.Nr.	Kurztext	GroÙe/Abmessung	Werkstoff
1	2	3	4	5	6
DIN ISO 5456-2	TOLERANCES	DIN ISO 13715	+0,3 +0,1	-0,1 -0,3	FINISH
	ISO 2768 - mH				MATERIAL
STANDARDS	ISO 8015 ISO 14405	DWG NO	7KC000021	REVISION	A1
				FIRST RELEASE	13.01.2022
				DESIGNER	CREITER 16.11.2022
				APPROVED	AGREPPMAYR 21.11.2022
				CHANGE NO	200120151
				DESCRIPTION	Maverick Slip Ring 6-Track 5A
				DOCUMENT TYPE	Kundenzeichnung
				SIZE/DIM	SHEET 1/2
SCHLEIFRING			Draft: 1000955438/DO2/000/02		Modell: 1000955438/DO0/000/02

All drawings are the property of Schleifring GmbH Germany and are to be treated as confidential. The reproduction, distribution and utilization as well as the communication of its contents to others without express authorization is prohibited. Offenders will be held liable for the payment of damages. All rights reserved in the event of the grant of a patent utility model or design.

All drawings are the property of Schleifring GmbH/ Germany and are to be treated as confidential. The reproduction, distribution and utilization as well as the communication of its contents to others without express authorization is prohibited. Offenders will be held liable for the payment of damages. All rights reserved in the event of the grant of a patent, utility model or design.

Cable Table	
Current	Cable
5 A / Signal	AWG17
10 A	
15 A	AWG14



DIN ISO 5456-2	TOLERANCES ISO 2768 - mH	DIN ISO 13715 +0,3 -0,1 +0,1 -0,3	FINISH	SCALE 1:1	REFERENCE 2
STANDARDS ISO 8015 ISO 14405	DWG NO 7KC000021	REVISION A1	MATERIAL	WEIGHT 0,001 kg	REFERENCE 1
Beschreibung Maverick Schleifring 6-Weg 5A			FIRST RELEASE 13.01.2022		
DESCRIPTION Maverick Slip Ring 6-Track 5A			DESIGNER CREITER		16.11.2022
SIZE/DIM.			APPROVED AGREPPMAYR		21.11.2022
SCHLEIFRING			CHANGE NO 200120151		
Draft: 1000955438/D02/000/02			DOCUMENT TYPE Kundenzeichnung		SHEET 2/2